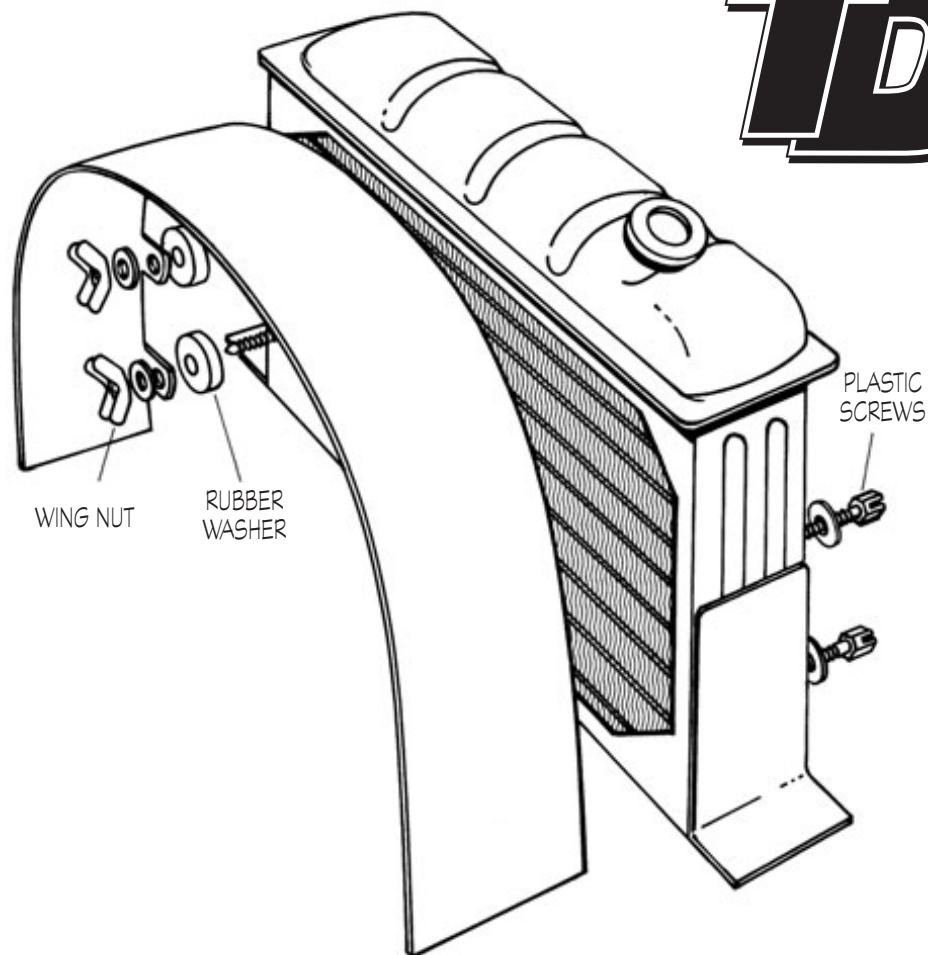


INSTALLATION GUIDE

for Part #9453 & 9454

TD **TRANS**
DAPT
PERFORMANCE PRODUCTS



IMPORTANT

This fan shroud is not designed to provide support for the radiator itself. If the original fan shroud does provide support for the radiator, we do not recommend the use of this fan shroud.

1. Turn off motor. The motor is to remain off during the entire installation period.
2. Remove the original fan shroud. In some cases, the fan will also have to be removed.
3. If the fan was removed, reinstall it at this time.
4. Position the TD Performance shroud on your radiator. Allow at least 1" clearance between the shroud and the circumference of the fan.
5. Insert one of the plastic screws from the front of the radiator, between the radiator cores so that it extends through the radiator and a tab on the fan shroud. Spin on a wing nut and secure it loosely. If the top of the radiator can extend down below the radiator cores, it may require the use of the rubber washers between the radiator core and the shroud, so that the shroud is parallel to the radiator surface.
6. Recheck the clearance between the fan and the shroud.
7. Install the remaining three plastic screws and hardware into the other three tabs in the fan shroud.
8. Recheck for clearance between the fan and the fan shroud by manually turning the fan.
9. If the fan shroud is positioned correctly, tighten all mounting hardware.
10. If you removed and reinstalled the fan, double check the fan bolts to see that they are secured tightly.
11. Check for hood clearance before closing the hood.