



**Performer Series Carburetor Rebuild Kit**  
**For Models 1400, 1403-1407, & 1411-1413**  
**Catalog #1477**  
**INSTALLATION INSTRUCTIONS**

- **PLEASE** read these instructions carefully before attempting to rebuild your carburetor. Make sure to refer to your carburetor Owner's Manual for further information if need be. If you have any questions or problems, do not hesitate to contact our **Technical Hotline at :1-800-416-8628, or e-mail us at Edelbrock@Edelbrock.com.**
- To check kit contents see exploded view of carburetor and parts description on last page. Verify that all parts underlined on list are in your kit. Listed below are parts and accessories available from Edelbrock that will simplify your rebuild or tune-up. **NOTE:** The fuel strainer (#23) in this drawing was used on early production models of Edelbrock carburetors. Later models used two smaller strainers (not shown) which fit into the two needle & seat assemblies (#27). All three strainers are provided in this kit so that you may use whichever style you like. However, you must use only the single large strainer or the two smaller strainers; all three cannot be used at the same time.

**Parts & Accessories**

**Cruise Control Kits:**

Cruise Control Kit - Chevrolet..... #1484

**Performer Series Carburetor Maintenance Kits:**

Float Kit.....#1469  
 Includes 2 floats, 2 pins and convenient float setting gauge.  
 Accelerator Pump.....#1470  
 Includes accelerator pump, spring and cup assembly.  
 Gasket Kit for Performer series carburetors..... #1472  
 Includes all gaskets for carburetor, plus carburetor-to-manifold flange gasket.  
 Choke Cap Kit.....#1474  
 Includes black plastic electric choke cap plus gasket, 3 screws and 3 locking tabs.

**Performer Series Carburetor Calibration Kits:**

For Model #1403 & 1404.....#1486  
 For Model #1405.....#1479  
 For Model #1406.....#1487  
 For Model #1409.....#1488  
 For Model #1407, 1410, 1412, & 1413.....#1480  
 For Model #1411.....#1489

**Performer Series Carburetor Accessories:**

Spring Assortment for Metering Rods (5 pair)..... #1484  
 Springs determine the vacuum level of which the metering rod goes from cruise to power mode.  
 Acceleration Pump Nozzles.....#1475  
 (3) nozzles: .024" (0,061 cm), .033" (0,084 cm), and .043" (0,109 cm) with gaskets included.  
 (2) Needle and Seat: .0935" (0,237 cm)..... #1465  
 Spring- loaded for off-road.  
 (2) Needle and Seat: .110" (0,279 cm)..... #1466  
 EGR Adaptor.....#1476  
 Use on Edelbrock #3701 or #3704 manifolds with #1400 carburetor.  
 Electric Choke Kit..... #1478  
 Use with manual choke models to convert to electric choke. All parts included for installation.  
 Manual Choke Cable Kit.....#8023  
 Fuel Line Kit..... #8090  
 Neoprene hose, clamps, & hose covering

**Metering Jets:**

Orifice Size	Part #
(Metering Jets Orificed in Pairs)	
.077" (0,196 cm)	#1420
.080" (0,203 cm)	#1421
.083" (0,211 cm)	#1422
.086" (0,218 cm)	#1423
.089" (0,226 cm)	#1424
.092" (0,234 cm)	#1425
.095" (0,241 cm)	#1426
.098" (0,249 cm)	#1427
.100" (0,254 cm)	#1428
.101" (0,257 cm)	#1429
.104" (0,264 cm)	#1430
.107" (0,272 cm)	#1431
.110" (0,279 cm)	#1432
.113" (0,287 cm)	#1433
.116" (0,295 cm)	#1434
.119" (0,302 cm)	#1435

**Metering Rods:**

Cruise	Power	Part #
(Metering Rods Orificed in Pairs)		
.062" (0,157 cm)	.052" (0,132 cm)	#1441
.063" (0,160 cm)	.037" (0,094 cm)	#1442
.063" (0,160 cm)	.047" (0,119 cm)	#1443
.065" (0,165 cm)	.037" (0,094 cm)	#1444
.065" (0,165 cm)	.047" (0,119 cm)	#1445
.068" (0,173 cm)	.042" (0,107 cm)	#1446
.068" (0,173 cm)	.047" (0,119 cm)	#1447
.068" (0,173 cm)	.052" (0,132 cm)	#1448
.070" (0,178 cm)	.037" (0,094 cm)	#1449
.070" (0,178 cm)	.042" (0,107 cm)	#1450
.070" (0,178 cm)	.047" (0,119 cm)	#1451
.070" (0,178 cm)	.052" (0,132 cm)	#1452
.071" (0,180 cm)	.047" (0,119 cm)	#1453
.073" (0,185 cm)	.037" (0,094 cm)	#1454
.073" (0,185 cm)	.042" (0,107 cm)	#1455
.073" (0,185 cm)	.047" (0,119 cm)	#1456
.073" (0,185 cm)	.052" (0,132 cm)	#1457
.075" (0,191 cm)	.037" (0,094 cm)	#1458
.075" (0,191 cm)	.047" (0,119 cm)	#1459

## DISASSEMBLY:

- Remove cover screws (1) and cover plates (2). Remove step up pistons (3) rods (4) and springs (6) as an assembly. Rods (4) may be removed from piston (3) by unhooking retainer springs (6) from end of rods. Remove vacuum piston springs (5). Remove pin spring (7) and remove connector rod (15) from levers.
- Remove screw (19) pump lever (20) and pump "S" link (21) from end of plunger stem. Remove fuel inlet fitting and gasket (24). On models 1406 and 1408, remove choke cover mounting screws (10), choke housing retainer (10A), thermostatic coil assembly (11), choke housing gasket (13), baffle plate (12), and 3 choke piston housing screws (not shown). Remove choke piston housing (9) seal (9A) rod and clip (8). Remove bowl cover screws (16 and 17) and bracket (Models 1405 and 1407). Lift bowl cover (18) straight up from fuel bowl (49) to avoid damage to parts attached. Remove float pins (25), floats (26), and needle-seat and gasket assembly (27). Remove bowl gasket (28).
- Remove plunger assembly (29) and spring (30). Remove venturi screws (39). Mark primary venturi assemblies (32) and secondary venturi assemblies (40) before removal so they can be reinstalled in their proper location. Remove primary and secondary venturi gaskets (33 and 41). Remove primary jets (43) and secondary jets (44), noting their locations. Remove pump jet screws (34), jet housing (35), and gasket (36). Invert fuel bowl (49) to remove discharge checkweight (37) and check ball (38). Remove idle mixture screws and springs (46). Remove rubber vacuum caps at this time.

## CLEANING:

Clean all parts thoroughly in an approved cleaning solvent or lacquer thinner. Special attention should be given to carbon deposits in throttle bores and passages. Do not use wires or pointed tools to clean passages and calibrated holes as calibration of carburetor may be destroyed. Do not immerse rubber or similar materials in cleaning solvent.

## REASSEMBLY:

Reverse Disassembly sequence using reference numbers shown in exploded view as a guide and note the following special instructions.

1. To ensure proper usage of gaskets and parts packaged in kit use old gaskets and parts for identification.
2. Idle mixture screws (46) should be seated lightly and then backed out approximately 1-1/2 to 2 turns for initial setting.
3. Apply a light film of lubricant to cup of plunger assembly (29) before installing.
4. Install open end of "S" link (21) in pump shaft toward choke valve.
5. Reinstall venturi assemblies (32 and 40) in their proper location.
6. Be sure the fuel baffles on bowl cover slide down in front of baffle plates in fuel bowl (49) or the bowl cover will not index correctly, causing the floats to hang up.
7. When installing bowl cover (18) care must be taken to center small brass bleed tubes on primary venturi assemblies (32) so they will pass through holes in bowl cover.
8. Refer to Adjustment Data for adjustment specification.

## ADJUSTMENT DATA:

### FLOAT LEVEL (FIG. 1)

With bowl cover inverted, bowl cover gasket in place, and weight of float seating needle, there should be 7/16" (1,11 CM) between top of each float and bowl cover gasket (at outer end). You can use a 7/16" (1,11 CM) drill bit to measure.

The sides of floats should be parallel to the outer edge of the bowl cover. To adjust, bend float lever. CAUTION! DO NOT PRESS NEEDLE INTO SEAT WHEN ADJUSTING FLOAT LEVER.

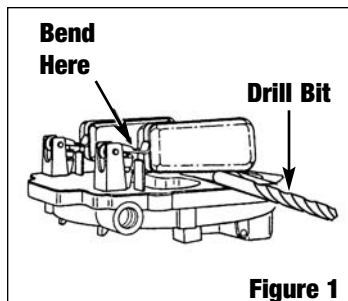


Figure 1

### FLOAT DROP (FIG. 2)

With bowl cover held in upright position adjust stop tab on float brackets to obtain 15/16" (2,38 CM) between (outer end) of each float and bowl cover gasket. To adjust bend tab on float lever.

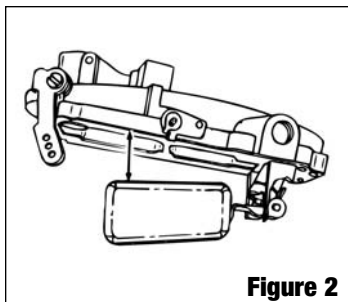


Figure 2

### PUMP (FIG. 3)

Back out idle speed screw to allow primary throttle valves to seat in bores. (Models 1405-1406-1400) Install pump connector rod in second hole from top of pump arm. Bend pump rod to obtain 17/32" (1,35 CM) (A) from top of pump shaft to bowl top. (Model 1407) Install pump connector rod in top hole on pump arm. Bend pump rod to obtain 19/32" (1,51 CM) (A) from top of pump shaft to bowl top.

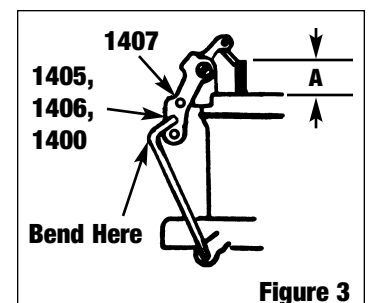


Figure 3

### ELECTRIC CHOKE PISTON LINKAGE (FIG. 4)

Open the choke valve and insert a .026" (0,07 CM) wire, bent 90 degrees 1/8" (0,32 CM) from the end, between top of slot in choke piston cylinder and bottom of the slot in the piston. Hold the wire in

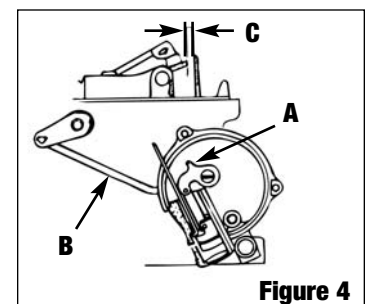


Figure 4

position and close choke valve by pressing on piston lever (A) until resistance is felt. The dimension (C) should be from 3/64" (0,12 CM) to 5/64" (0,19 CM) between the top edge of choke valve and wall of air horn. To adjust bend rod (B).

- **FAST IDLE LINKAGE (FIG. 5)**

For 1405-1407 see FIG. 12. Place fast idle screw (A) on second step of cam. Move choke valve toward the closed position as far as possible without forcing. The dimension (C) should be 3/64" (0,12 CM) to 5/64" (0,19 CM) between the upper edge of choke valve and wall of air horn. To adjust, bend rod (D).

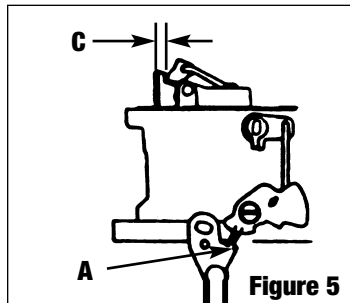


Figure 5

- **SECONDARY THROTTLE LOCK OUT, ELECTRIC CHOKE EQUIPPED CARBURETORS ONLY (FIG. 6)**

With throttle lever at idle position and choke valve closed, bend tang on secondary throttle shaft to have 1/64" (0,04 CM) clearance between tang and lockout arm (A).

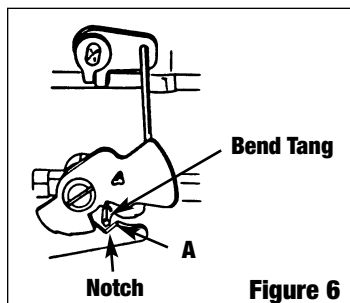


Figure 6

- **SECONDARY THROTTLE VALVE OPENING (FIG. 7)**

Secondary throttle valves should just start to open when there is 13/32 (1,03 CM) inch between primary throttle valve and bore of carburetor (C). To adjust, bend rod (A). With primary throttle valves wide open, adjust stop tang (B) until secondary valves are 5 degrees before full vertical position.

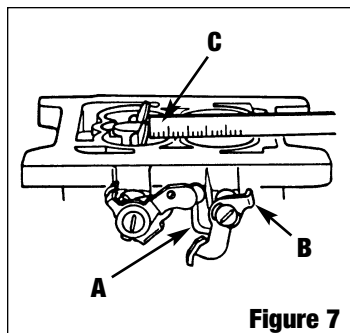


Figure 7

- **SECONDARY THROTTLE VALVE CLOSING (FIG. 8)**

With the primary and secondary throttle valves tightly closed, there should be .040" (0,10 CM) clearance between levers (B). To adjust, bend shoe on lever (A).

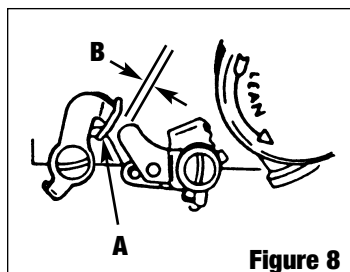


Figure 8

- **UNLOADER (FIG. 9)**

With throttle valves open, close choke valve as far as possible without forcing. The dimension (C) between top edge of choke valve and inner wall of air horn should be 1/4" (0,64 CM) to 5/16" (0,79 CM). To adjust, bend tang (D) on throttle lever.

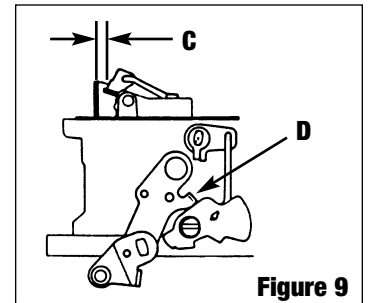


Figure 9

- **ELECTRIC CHOKE SETTING (FIG. 10)**

With choke cover cold, rotate cover against spring tension until mark on thermostat cover is aligned with index mark on housing. Turn clockwise an additional two (2) notches rich for proper setting. After engine is warmed up, check that choke valve has opened fully and that it operates freely.

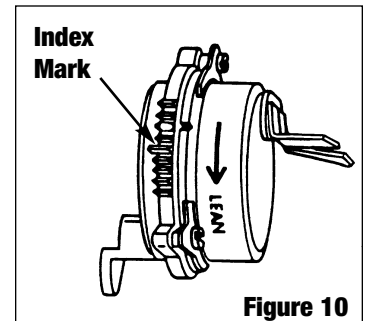


Figure 10

- **BOWL VENT MODEL 1400 (FIG. 11)**

Remove plug (A) from hole in air horn and insert a narrow ruler. Allow ruler to rest lightly on top of valve. With throttle valves closed and choke open, the dimension from the top of the valve to top of hole in casting (C) should be 3/4" (1,91 CM). To adjust, bend valve operating lever (B).

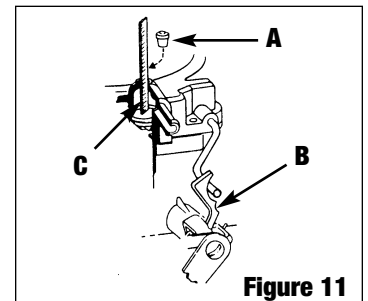


Figure 11

- **FAST IDLE LINKAGE, MANUAL CHOKE EQUIPPED CARBURETORS ONLY (FIG. 12)**

To adjust the fast idle linkage (Figure 12) place the fast idle screw (A) between the two notches on the cam. Close the choke valve as far as possible without forcing it. The dimension (C) should be 1/16" (0,12 CM) between the choke valve and the air horn. To adjust this dimension, bend rod (D).

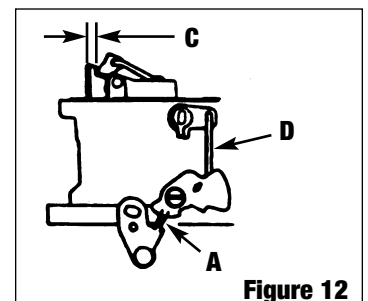


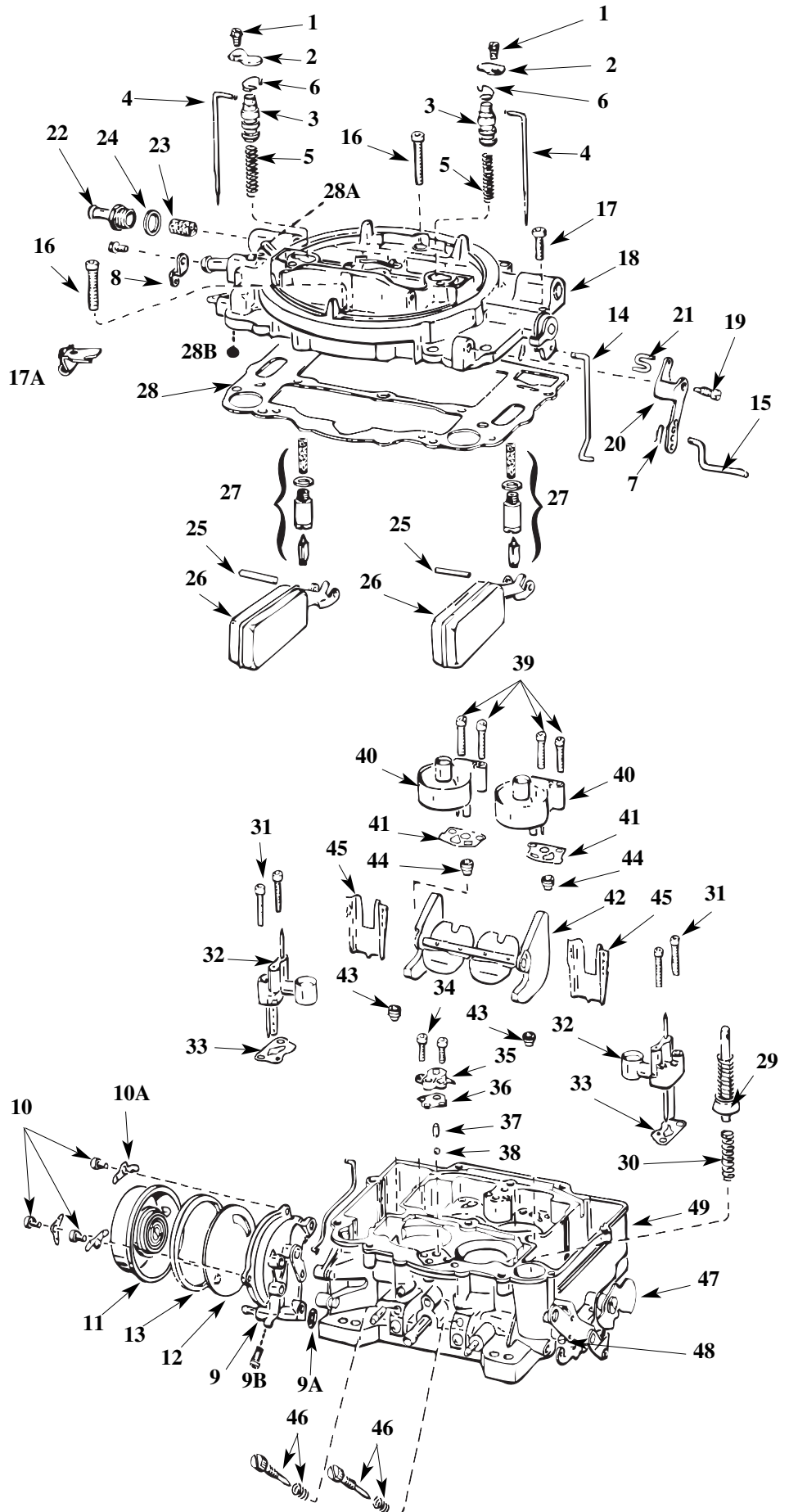
Figure 12

## EXPLODED VIEW OF EDELBROCK CARBURETOR

Items underlined are supplied in kit. Also included but not shown:

- 1- CARBURETOR BASE GASKET
- 1- AIR CLEANER GASKET
- 1-MEASURE SCALE
- 1-VACUUM PLUG

ITEM	DESCRIPTION
1.	STEP-UP PISTON COVER SCREW (2)
2.	STEP-UP PISTON COVER PLATE (2)
3.	STEP-UP PISTON (2)
4.	STEP-UP RODS (2)
5.	STEP-UP PISTON SPRINGS (2)
6.	STEP-UP ROD RETAINER SPRING (2)
7.	PIN SPRING (SMALL) (3)
8.	CHOKE CONNECTOR ROD & LEVER*
9.	CHOKE PISTON HOUSING*
9A.	CHOKE PISTON HOUSING SEAL*
9B.	CHOKE PISTON HOUSING FILTER*
10.	MOUNTING SCREWS (3)
10A.	CHOKE HOUSING RETAINER (3)*
11.	THERMOSTATIC COIL ASSEMBLY*
12.	BAFFLE PLATE*
13.	CHOKE HOUSING GASKET*
14.	CHOKE/CAM CONNECTOR ROD
15.	PUMP CONNECTOR ROD
16.	AIRHORN ATTACHING SCREW (1)
17.	AIRHORN ATTACHING SCREW (8)
17A.	CHOKE CABLE BRACKET (1405-1407 only)
18.	AIRHORN ASSEMBLY
19.	PUMP ARM SCREW
20.	PUMP ARM
21.	PUMP CONNECTOR LINK
22.	FUEL INLET FITTING
23.	STRAINER
24.	FUEL INLET FITTING GASKET
25.	FLOAT LEVER PIN (2)
26.	FLOAT & LEVER ASSEMBLY (2)
27.	NEEDLE & SEAT ASSEMBLY (2)
28.	AIRHORN GASKET
28A.	BOWL VENT PLUG (1408 only)
28B.	BOWL VENT VALVE (1408 only)
29.	PUMP PLUNGER CUP
30.	PUMP PLUNGER SPRING
31.	PRIMARY CLUSTER SCREWS (4)
32.	PRIMARY VENTURI CLUSTERS (2)
33.	VENTURI CLUSTER GASKET (2)
34.	PUMP JET HOUSING SCREW (2)
35.	PUMP JET HOUSING
36.	PUMP JET HOUSING GASKET
37.	PUMP DISCHARGE WEIGHT
38.	PUMP DISCHARGE BALL
39.	SECONDARY CLUSTER SCREWS (4)
40.	SECONDARY VENTURI CLUSTER (2)
41.	VENTURI CLUSTER GASKET (2)
42.	AUXILIARY VALVES & WEIGHTS
43.	PRIMARY METERING JETS (2)
44.	SECONDARY METERING JETS (2)
45.	FUEL BOWL BAFFLE PLATES (2)
46.	IDLE MIXTURE SCREW & SPRING (2)
47.	FAST IDLE CAM
48.	IDLE SPEED SCREW
49.	BODY ASSEMBLY





# Juego para Reconstruir el Carburador Serie Performer Para Modelos 1400, 1403-1407 y 1411-1413

Catálogo #1477

## INSTRUCCIONES DE INSTALACION

- **FAVOR** de leer estas instrucciones cuidadosamente antes de intentar reconstruir su carburador. Asegúrese de consultar su carburador en Manual del Dueño para más información. Si usted tiene alguna duda o problema, por favor llame a nuestra **Línea de Asistencia Técnica: 1-800-416-8628 (EUA)**, o envíenos un correo electrónico a [Edelbrock@Edelbrock.com](mailto:Edelbrock@Edelbrock.com).
- Para revisar el contenido del juego y ver la vista del disparado del carburador y descripción de las partes en la última página. Verifique que todas las partes que están subrayadas en la lista estén en el juego. A continuación están enlistadas las partes y accesorios disponibles de Edelbrock® que le van a simplificar el reconstruir ó para la afinación. **NOTA:** El cedazo de gasolina (#23) en este dibujo fue usado para una producción de modelos recientes de carburadores de Edelbrock®. Los modelos anteriores usan dos pequeños cedazos (no mostrados) el cual queda en las dos agujas y ensamblaje del asiento (#27). Todos los tres cedazos son proveídos en este juego para que usted pueda usar cualquier estilo que le guste. Sin embargo, solamente debe usar el cedazo solo grande o los dos cedazos más chicos; no pueden ser usados los tres al mismo tiempo.

### Partes y Accesorios

#### Juegos de Control de Velocidades de Crucero:

Juego de Control de Velocidades de Crucero - Chevrolet... #1484

#### Juegos Para Mantenimiento del Carburador de Serie Performer:

Juego de Flotador..... #1469  
Incluye 2 flotadores, 2 pasadores y medidor de fijación de flotación conveniente.

Bomba de Aceleración..... #1470

Incluye bomba de aceleración, resorte y copa de ensamblaje.

Juego de Empaques para carburadores serie Performer... #1472

Incluye todos los empaques para carburador, más el empaque del carburador al borde del múltiple.

Juego de Tapón del Regulador de Aire..... #1474

Incluye tapón negro de plástico eléctrico para regulador de aire más el empaque, 3 tornillos y 3 pestañas de seguridad.

#### Juegos para Calibrar el Carburador Series Performer:

Para Modelo #1403 y 1404..... #1486

Para Modelo #1405..... #1479

Para Modelo #1406..... #1487

Para Modelo #1409..... #1488

Para Modelo #1407, 1410, 1412 y 1413..... #1480

Para Model #1411..... #1489

#### Accesorio para Carburador Series Performer:

Variedad de Resortes para Bielas con Sensor (5 pares).... #1484

Los resortes determinan el nivel del filtro del aire en donde van las bielas con sensor del control de velocidades de crucero al modo de potencia.

Boquillas para la Bomba del Acelerador..... #1475

Tres boquillas y empaques .024" (0,061 cm), .033" (0,084 cm), and .043" (0,109 cm)

(2) Aguja y Asiento .0935" (0,237 cm)..... #1465

Resortes- cargados para afuera del camino.

(2) Aguja y Asiento .110" (0,279 cm)..... #1466

Adaptador EGR..... #1476

Uselo en Edelbrock® #3701 o #3704 múltiples con carburador #1400.

Juego de Regulador de Aire Eléctrico..... #1478

Uselo en reguladores de aire de modelos manuales para convertirlo a reculador de aire eléctrico. Todas las partes están incluidas para su instalación.

Juego de Regulador de Aire Manual..... #8023

Juego de Línea de Gasolina..... #8090

Manguera Neoprene, abrazaderas y cubierta para manguera.

#### Medidor de Chorro:

Tamaño de Orificio (Orificios del Medidor de Chorro en Pares)	Parte #
.077" (0,196 cm)	#1420
.080" (0,203 cm)	#1421
.083" (0,211 cm)	#1422
.086" (0,218 cm)	#1423
.089" (0,226 cm)	#1424
.092" (0,234 cm)	#1425
.095" (0,241 cm)	#1426
.098" (0,249 cm)	#1427
.100" (0,254 cm)	#1428
.101" (0,257 cm)	#1429
.104" (0,264 cm)	#1430
.107" (0,272 cm)	#1431
.110" (0,279 cm)	#1432
.113" (0,287 cm)	#1433
.116" (0,295 cm)	#1434
.119" (0,302 cm)	#1435

#### Medidor de Bielas:

Crusero (Orificios del Medidor de Bielas en Pares)	Potencia	Parte #
.062" (0,157 cm)	.052" (0,132 cm)	#1441
.063" (0,160 cm)	.037" (0,094 cm)	#1442
.063" (0,160 cm)	.047" (0,119 cm)	#1443
.065" (0,165 cm)	.037" (0,094 cm)	#1444
.065" (0,165 cm)	.047" (0,119 cm)	#1445
.068" (0,173 cm)	.042" (0,107 cm)	#1446
.068" (0,173 cm)	.047" (0,119 cm)	#1447
.068" (0,173 cm)	.052" (0,132 cm)	#1448
.070" (0,178 cm)	.037" (0,094 cm)	#1449
.070" (0,178 cm)	.042" (0,107 cm)	#1450
.070" (0,178 cm)	.047" (0,119 cm)	#1451
.070" (0,178 cm)	.052" (0,132 cm)	#1452
.071" (0,180 cm)	.047" (0,119 cm)	#1453
.073" (0,185 cm)	.037" (0,094 cm)	#1454
.073" (0,185 cm)	.042" (0,107 cm)	#1455
.073" (0,185 cm)	.047" (0,119 cm)	#1456
.073" (0,185 cm)	.052" (0,132 cm)	#1457
.075" (0,191 cm)	.037" (0,094 cm)	#1458
.075" (0,191 cm)	.047" (0,119 cm)	#1459

## DEENSAMBLAJE:

- Remueva los tornillos de la cubierta (1) y los de cubierta de los platos (2). Remueva los pistones del estibo (3) bielas (4) y resortes (6) como se ensambla. Las bielas (4) deben de ser removidas del pistón (3) desenganchando los resortes del retensor (6) del final de las bielas. Remueva los resortes del pistón del filtro del aire (5). Remueva los resortes de pasador (7) y remueva el conector de la biela (15) de la palanca.
- Remueva el tornillo (19) la palanca de la bomba (20) y la bomba El eslabón "S" (21) del final del vástago del émbolo buzo. Remove el empaque para el ajustador de insertor de gasolina (24). En modelo 1406 y 1408, remueva los tornillos de montaje del regulador (10), caja retensor del regulador (10A), ensamblaje de la bobina termostática (11), empaque de la caja del regulador de aire (13), placa deflectora (12) y 3 tornillos de la caja del pistón del regulador (no mostrado). Remueva la caja del pistón del regulador (9) sellador (9A) biela y pasador (8). Remueva los tornillos de la cubierta de la cavidad (16 y 17) y ménsula (Modelos 1405 y 1407). Levante la cubierta de la cavidad (18) parada en la cavidad de la gasolina (49) para prevenir que se dañen las partes anexadas. Remueva los pasadores de la palanca (25) flotador (26) y el asiento de aguja y el empaque de ensamblaje (27). Remueva el empaque de la cavidad (28).
- Remueva el ensamblaje del émbolo buzo (29) y el resorte (30). Remueva los tornillos venturi (39). Marque el ensamblaje del panel de instrumentos venturi primario (32) y el ensamblaje venturi secundario (40) antes de removerlo para que pueda ser instalado en el lugar apropiado. Remueva los empaques venturi primarios y secundarios (33 y 41). Remueva los chorros primarios (43) y chorros secundarios (44), anote sus lugares. Remueva los tornillos de la bomba de chorro (34) caja de chorro (35) y empaque (36). Invierta la cavidad de gasolina (49) para removerlo y desechar la revisión de peso (37). Remueva los tornillos y resortes de la mezcla de la marcha mínima (46). Ahora remueva los taponos de goma del filtro del aire.

## LIMPIEZA:

Limpie muy bien todos las partes en un solvente aprobado o con solvente laquer. Se le debe dar atención especial a los depósitos de carbón en los calibres de estrangulación y pasajes. No use cables o herramientas puntiagudas para limpiar los pasajes y los orificios calibrados porque se puede destruir el calibrado del carburador. No sumerja caucho o materiales similares al solvente limpiador.

## REENSAMBLAJE:

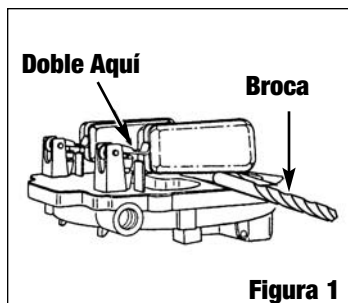
Ensamblaje en secuencia reversa usando números de referencia que se muestran en la vista con precisión como una guía y anote las siguientes instrucciones especiales:

1. Para asegurar el uso apropiado en los empaques y partes del juego, uso los empaques viejos y partes para su identificación.
2. Los tornillos de tornillos de mezcla (46) deben de estar sentados ligeramente y después salidos aproximadamente 1-1/2 a 2 vueltas para fijación inicial.
3. Aplique una cubierta ligera de lubricante Apply a light film of lubricant to cup of plunger assembly (29) antes de instalarlo.
4. Instale el final abierto al eslabón "S" (21) en la bomba con la palanca hacia la válvula del regulador.
5. Reinstale el ensamblaje venturi (32 y 40) en su lugar apropiado.
6. Asegúrese que el desviador de gasolina y la cubierta de la cavidad se resbale en frente de los platos defreectores en la cavidad de la gasolina (49) o la cubierta de la cavidad que no estara indicada correctamente, causando que los flotadores se cuelguen.
7. Cuando instale la cubierta de la cavidad (18) tiene que tener cuadiado para centrar los tubos pequeños de bronce en el ensamblaje venturi primario (32) para que pueda pasar dentro de los orificios de la cubierta de la cavidad.
8. Consulte el Ajuste de la Información para un ajuste específico.

## AJUSTE DE LA INFORMACION:

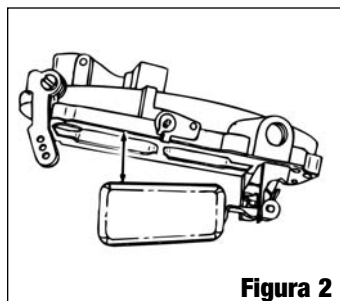
### • NIVEL DEL FLOTADOR (FIG. 1)

Con la cubierta de la cavidad invertida, los empaques de la cubierta de la cavidad en su lugar y la aguja del asiento del peso del flotador, ahí debe tener 7/16" (1,11 cm) entre las puntas del flotador y el empaque de la cubierta de la cavidad (hasta el final). Puede usar un taladro con broca de 7/16" (1,11cm). Los lados de los flotadores debe estar paralelos al lado de aguera del nivelador del flotador. ¡PRECAUCION! NO PRESIONE LA AGUJA EN EL ASIENTO CUANDO AJUSTE EL NIVELADOR DEL FLOTADOR.



### • BAJAR EL FLOTADOR (FIG. 2)

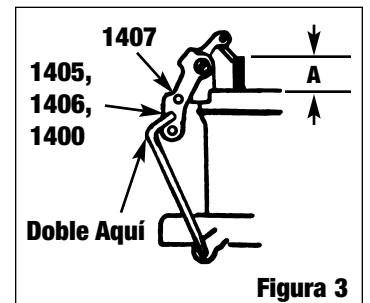
Con la cubierta de la cavidad derecha ajuste el detensor de la pestaña en los pasadores del flotador para obtener 15/16" (2,38 cm) entre (en la punta de fuera) de cada flotador y el empaque de la cubierta de la cavidad. Para ajustar doble la pestaña en el nivelador del flotador.



### • BOMBA (FIG. 3)

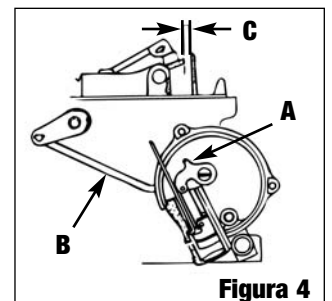
Retroceda el tornillo de la marcha mínima para dejar que las válvulas de estrangulación queden en los calibres. (Modelos 1405-1406-1400) Instale el conector de la biela de la bomba en el segundo orificio de arriba del brazo de la bomba. Doble la biela de la bomba para obtener 17/32"

(1,35 cm) (A) de la punta de la palanca de la bomba hasta harriba de la cavidad. (Modelo 1407) Instale el conector de la biela de la momba en el orificio de arriba en el brazo de la bomba. Doble la biela de la bomba para obtener 19/32" (1,51 cm) (A) desde arriba de la palanca de labomba a la parte superior de la cavidad.



### • ESLABON DEL PISTON DEL REGULADOR ELECTRICO (FIG. 4)

Abra la válvula del regulador e inserte un cable de .026" (0,07 cm), dóblelo a 90° a 1/8" (0,32cm) hasta el final, entre la punta de la abertura en el regulador del cilindro del pistón y lo de abajo en la abertura del pistón. Ponga el cable en posición y cierre la válvula del regulador presionando



en el nivelador le pistón (A) hasta que se sienta resistencia. La dimensión (C) debe de ser des 3/64" (0,12 cm) a 5/64"(0,19 cm) entre la punta de la orilla de la válvula del regulador y la pared de la corneta de aire. Para ajustarse, doble la biela (B).

• **ESLABON DE MARCHA MINIMA RAPIDA (FIG. 5)**

Para 1405-1407 vea FIG. 12. Ponga los tornillos de marcha rápida (A) en el segundo paso de la leva. Mueva la válvula del regulador hacia la posición lo más lejos posible sin forzarla. La dimensión (C) debe de sers 3/64" (0,12 cm) a 5/64"(0,19 cm) entre la orilla superior de la válvula del regulador y la pared de la corneta de aire. Para ajustarse, doble la biela (D).

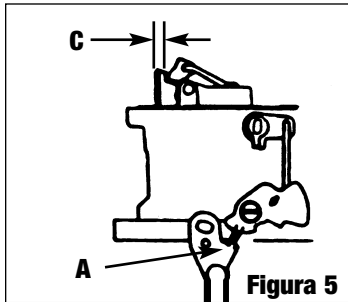


Figura 5

• **ESTRANGULADOR DE CIERRE FORZOSO SECUNDARIO, SOLAMENTE EN LOS CARBURADORES EQUIPADOS CON REGULADORES ELECTRICOS (FIG. 6)**

Con palanca de nivelador de estrangulador en posición en marcha mínima y válvula de regulador cerrada, doble la espiga en la palanca del estrangulador para tener 1/64" (0,04 cm) de distancia entre la espiga y el cierre del brazo.

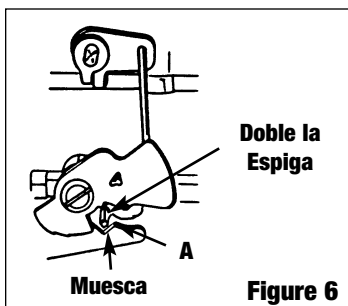


Figure 6

• **ABERTURA DE LA VALVULA DEL ESTRANGULADOR SECUNDARIO (FIG. 7)**

Válvulas del estrangulador secundario debe solamente empezarse abrir cuando haya 13/32" (1,03 cm) entre la válvula del estrangulador primario y el calibre del carburador (como se muestra). Para ajustarse, doble la biela (A). Con las válvulas del estrangulador primario muy abiertas, ajuste para detener la espiga (B) hasta que las válvulas secundarias sean de 5P antes de que estén completamente en posición abierta.

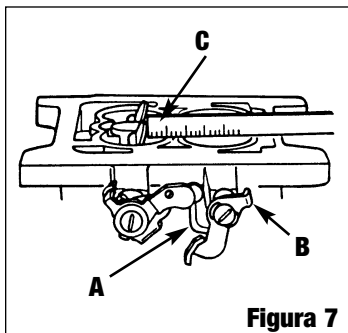


Figura 7

• **CIERRE DE LA VALVULA SECUNDARIA DEL ESTRANGULADOR (FIG. 8)**

Con la válvulas del reguldor primaria y secundaria bien cerradas, debe de haber .040"(0,10cm) de espacio entre los niveladores (como se muestra). Para ajustarlo, doble el zapato en la palanca (A).

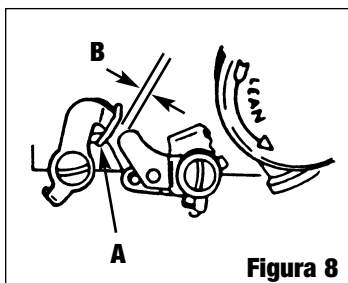


Figura 8

• **DESCARGADOR (FIG. 9)**

Con las válvulas del lo más lejos posible sin forzarlo. La dimensión (C) entre la parte de arriba de la orilla de la válvula del regulador y la parte de adentro de la pared de la corneta de aire debe de tener 1/4"(0,64 cm) a 5/16" (0,79 cm). Para ajustarse, doble la pestaña (D) en el nivelador del estrangulador.

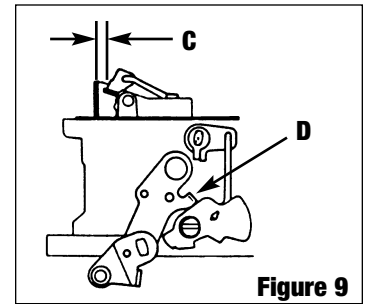


Figure 9

• **FIJACIONES DEL REGULADOR ELECTRICO (FIG. 10)**

Con la cubierta fría del regulador, gire la cubierta contra el resorte de tensión hasta que marque en la cubierta del termostato que está alineado con la marca de identificación en la caja. Gire dos veces más en sentido de las manecillas del reloj (2) hasta que las muescas alcancen la apropiada fijación. Después que el motor esté tibio, revise que la válvula del regulador se haya abierto completamente y opera libremente.

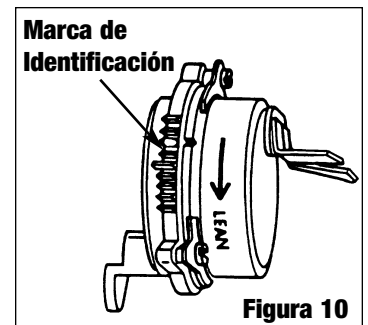


Figura 10

• **CAVIDAD DE VENTILACION MODELO 1400 (FIG. 11)**

Revuelva el enchufe (A) del orificio de la corneta de aire e inserte una regla delgada. Deje que la regla esté ligeramente arriba de la válvula. Con las válvulas del estrangulador cerradas y el regulador abierto, la dimensión desde la parte de arriba de la válvula a la parte de arriba del orificio debe de ser de 3/4"(1,91 cm). Para ajustarse, doble el nivelador de operación de la válvula (B).

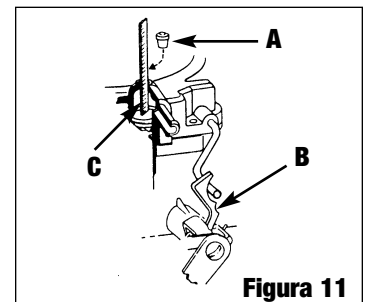


Figura 11

• **ESLABONES DE MARCHA RAPIDA, SOLAMENTE EN LOS CARBURADORES EQUIPADOS CON REGULADORES MANUALES (FIG. 12)**

Para ajustar el eslabón de la marcha rápida (Figura 12) ponga el tornillo de la marcha rápida (A) entre las dos muescas en la leva. Cierre la válvula del regulador los más lejos posible sin forzarlo. La dimensión (C) debe de ser 1/16" (0,12 cm) entre la válvula del regulador y la corneta de aire. Para ajustarlo, doble la biela (D).

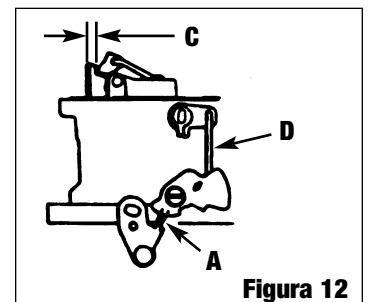


Figura 12

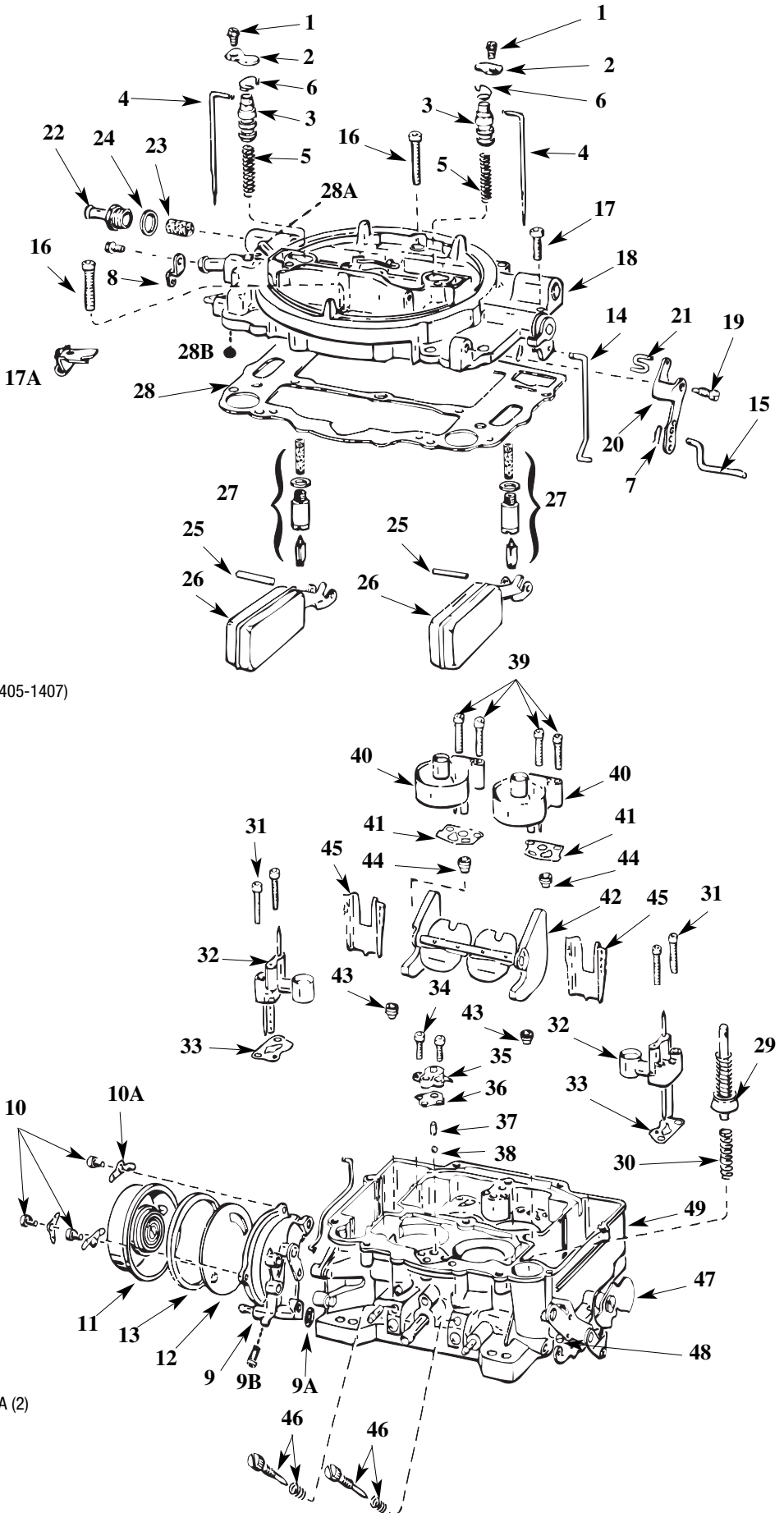
## VISTA CON PRECISION DEL CARBURADOR DE EDELBROCK®

Los productos subrayados son provehidos en este juego. También incluye, pero no se muestra:

- 1- EMPAQUE PARA LA BASE DEL CARBURADOR
- 1- EMPAQUE PARA EL FILTRO DE AIRE
- 1- BASCULA PARA MEDIR
- 1- ENCHUFE DE VACIO

### DESCRIPCION DEL PRODUCTO

1. (2) TORNILLOS PARA ASCENDER LA CUBIERTA DEL PISTON
2. (2) PISTON PARA ASCENDER EL PLATO COBERTOR
3. (2) PISTON ASCENSOR
4. (2) BIELLA PARA ASCENDER
5. (2) RESORTES DE PISTON ASCENSOR
6. RESORTE RETENSOR DE LA BIELLA DE ESTRIBO (2)
7. RESORTE DE PASADOR (CHICO) (3)
8. CONECTOR DEL REGULADOR DE BIELLA Y PALANCA\*
9. CAJA DEL PISTON DEL REGULADOR\*
- 9A. SELLADOR DE LA CAJA DEL PISTON DEL REGULADOR \*
- 9B. CAJA DEL FILTRO DEL PISTON DEL REGULADOR\*
10. TORNILLOS DE MONTAJE (3)
- 10A. CAJA DEL RETENSOR DEL REGULADOR (3)\*
11. ENSAMBLAJE DE LA BOBINA TERMOSTATICA\*
12. PLACA DEFLECTORA
13. EMPAQUE DE LA CAJA DEL REGULADOR DE AIRE\*
14. CONECTOR DE BIELLA DEL REGULADOR DE AIRE/LEVA
15. CONECTOR DE LA BIELLA DE LA BOMBA
16. TORNILLO PARA ATORAR LA CORNETA DE AIRE (1)
17. TORNILLO PARA ATORAR LA CORNETA DE AIRE (8)
- 17A. MENSULA DEL CABLE DEL REGULADOR DE AIRE (solamente 1405-1407)
18. ENSAMBLAJE DE LA CORNETA DE AIRE
19. TORNILLO DEL BRAZO DE LA BOMBA
20. BRAZO DE LA BOMBA
21. ESLABON CONECTOR DE LA BOMBA
22. AJUSTADOR DEL INSERTOR DE GASOLINA
23. RETENSOR
24. EMPAQUE PARA EL AJUSTADOR DEL INSERTOR DE GASOLINA
25. PASADOR DE LA PALANCA FLOTADORA (2)
26. ENSAMBLAJE DEL FLOTADOR Y LA PALANCA (2)
27. ENSAMBLAJE DE LA AGUJA Y ASIENTO (2)
28. EMPAQUE DE LA CORNETA DE AIRE
- 28A. ENCHUFE DE LA CAVIDAD DE VENTILACION (solamente 1408)
- 28B. VALVULA DE LA CAVIDAD DE VENTILACION (solamente 1408)
29. SELLO DEL ÉMBOLO ENRIQUECEDOR DE ACELERACION
30. RESORTE DEL ÉMBOLO BUZO DE LA BOMBA
31. TORNILLOS DEL PANEL DE INSTRUMENTOS PRIMARIOS (4)
32. PANEL DE INSTRUMENTOS VENTURI PRIMARIO (2)
33. EMPAQUE DEL PANEL DE INSTRUMENTOS VENTURI (2)
34. TORNILLO DE LA CAJA DE LA BOMBA DE CHORRO (2)
35. CAJA DE LA BOMBA DE CHORRO
36. EMPAQUE DE LA CAJA DE LA BOMBA DE CHORRO
37. PESO DE DESCARGO DE LA BOMBA
38. BOLA DE DESCARGO DE LA BOMBA
39. TORNILLOS DEL PANEL DE INSTRUMENTOS SECUNDARIO (4)
40. PANEL DE INSTRUMENTOS VENTURI SECUNDARIO (2)
41. EMPAQUES DEL PANEL DE INSTRUMENTOS VENTURI (2)
42. VALVULAS Y PESOS AUXILIARES
43. MEDIDOR DE CHORROS PRIMARIO (2)
44. MEDIDOR DE CHORROS SECUNDARIO (2)
45. CAVIDAD PARA GASOLINA DE LAS PLACAS DEFLECTORAS (2)
46. TORNILLO Y RESORTE DE LA MEZCLA DE LA MARCHA MINIMA (2)
47. LEVA DE LA MARCHA RAPIDA
48. TORNILLO DE LA MARCHA DE VELOCIDAD
49. ENSAMBLAJE DE LA CARROCERIA







# Kit de Reconstruction de Carburateur de la Série Performer Pour Modeles 1400, 1403-1407, et 1411-1413

No. de Catalogue 1477

## INSTRUCTIONS D'INSTALLATION

- **VEUILLEZ** lire attentivement ces instructions avant d'essayer de reconstruire votre carburateur. Veuillez à consulter le manuel du propriétaire qui accompagne votre carburateur pour de plus amples renseignements, si besoin est. Pour toutes questions ou tous problèmes, veuillez contacter notre **Ligne d'Assistance Technique au : 1-800-416-8628**, de 7 à 17 heures, heure du Pacifique, du lundi au vendredi ou nous envoyer un message électronique à [Edelbrock@Edelbrock.com](mailto:Edelbrock@Edelbrock.com).
- Pour voir le contenu du kit, examinez la vue éclatée du carburateur et une description des pièces sur la dernière page. Vérifiez si toutes les pièces soulignées sur la liste sont dans votre kit. Voici, sur la liste ci-dessous, des pièces et accessoires disponibles chez Edelbrock qui simplifieront votre reconstruction ou mise au point. **ATTENTION:** Le filtre à essence (no. 23) de ce dessin a été utilisé sur les modèles de production plus anciens des carburateurs Edelbrock. Des modèles plus récents utilisent deux petits filtres à essence (que nous ne montrons pas) et qui s'adaptent aux deux assemblages d'aiguille et d'assise (no. 27). Ces trois filtres sont fournis dans ce kit pour que vous puissiez utiliser le style qui vous plaît. Vous ne devez cependant utiliser que le grand filtre tout seul ou les deux filtres plus petits. Ils ne peuvent pas être utilisés tous les trois en même temps..

### Pièces et Accesories

Kit de Contrôle de Croisière:		Pour Modelo No. 1407, 1410, 1412, et 1413.....	No.1480
Kit de Contrôle de Croisière - Chevrolet.....	No. 1484	Pour Modelo No. 1411.....	No.1489
Kit d'Entretien de Carburateur de la Série Performer:		Accessoires de Carburateur de la Série Performer:	
Kit de Flotteur.....	No. 1469	Assortiment de Ressorts pour Aiguilles de	
Comprend 2 flotteurs, 2 clavettes et un manomètre à flotteur facile à employer.		Dosage (5 paires).....	No.1484
Pompe d'Accélérateur.....	No. 1470	Des ressorts déterminent le niveau de vide auquel l'aiguille de dosage passe du mode croisière au mode propulsion.	
Comprend une pompe d'accélérateur et un assemblage de pompe, ressort et cuvette.		Tuyères de Pompe d'Accélérateur.....	No.1475
Kit de Joints de Culasse.....	No. 1472	Trois tuyères et joints de culasse .024" (0,061 cm), .033" (0,084 cm), et .043" (0,109 cm)	
Comprend tous les joints de culasse pour le carburateur ainsi que le joint de culasse de la bride de couplage du carburateur collecteur d'admission.		(2) Aiguille et assise .0935" (0,237 cm).....	No.1465
Kit de Couvercle de Starter.....	No. 1474	Avec ressort de rappel pour tous terrains.	
Comprend un couvercle de starter en plastique et un joint de culasse, 3 vis et 3 fermetures par languettes.		(2) Aiguille et assise .110" (0,279 cm).....	No.1466
		Adaptateur pour recyclage des gaz d'échappement.....	No.1476
		Pour les collecteurs d'admission no. 3701 et 3704 avec carburateur no. 1400 de Edelbrock.	
		Kit de Starter Electrique.....	No.1478
		Pour convertir les modèles à starter manuel en starter électrique.	
		Toutes les pièces sont comprises pour l'installation.	
		Kit de Câbles de Starter Manuel.....	No.8023
		Kit de Tuyau de Carburant.....	No.8090
		Tuyaux, crampons et couvertures de tuyaux en néoprène	
Kit de calibrage de carburateur de la série Performer:			
Pour Modelo No. 1403 et 1404.....	#1486		
Pour Modelo No. 1405.....	#1479		
Pour Modelo No. 1406.....	#1487		
Pour Modelo No. 1409.....	#1488		

### Gicleurs de Dosage:

Taille d'Orifice (Gicleurs de Dosage Dont les Orifices sont par Paires)	Part #
.077" (0,196 cm)	#1420
.080" (0,203 cm)	#1421
.083" (0,211 cm)	#1422
.086" (0,218 cm)	#1423
.089" (0,226 cm)	#1424
.092" (0,234 cm)	#1425
.095" (0,241 cm)	#1426
.098" (0,249 cm)	#1427
.100" (0,254 cm)	#1428
.101" (0,257 cm)	#1429
.104" (0,264 cm)	#1430
.107" (0,272 cm)	#1431
.110" (0,279 cm)	#1432
.113" (0,287 cm)	#1433
.119" (0,302 cm)	#1435

### Aiguilles de Dosage:

Croisière (Aiguilles de Dosage Dont les Orifices sont par Paires)	Puissance	Part #
.062" (0,157 cm)	.052" (0,132 cm)	#1441
.063" (0,160 cm)	.037" (0,094 cm)	#1442
.063" (0,160 cm)	.047" (0,119 cm)	#1443
.065" (0,165 cm)	.037" (0,094 cm)	#1444
.065" (0,165 cm)	.047" (0,119 cm)	#1445
.068" (0,173 cm)	.042" (0,107 cm)	#1446
.068" (0,173 cm)	.047" (0,119 cm)	#1447
.068" (0,173 cm)	.052" (0,132 cm)	#1448
.070" (0,178 cm)	.037" (0,094 cm)	#1449
.070" (0,178 cm)	.042" (0,107 cm)	#1450
.070" (0,178 cm)	.047" (0,119 cm)	#1451
.070" (0,178 cm)	.052" (0,132 cm)	#1452
.071" (0,180 cm)	.047" (0,119 cm)	#1453
.073" (0,185 cm)	.037" (0,094 cm)	#1454
.073" (0,185 cm)	.042" (0,107 cm)	#1455
.073" (0,185 cm)	.047" (0,119 cm)	#1456
.073" (0,185 cm)	.052" (0,132 cm)	#1457
.075" (0,191 cm)	.037" (0,094 cm)	#1458
.075" (0,191 cm)	.047" (0,119 cm)	#1459

## DÉMONTAGE:

- Enlevez les vis du couvercle. Enlevez les tiges (4) de pistons multiplicateurs (4) et les ressorts (6) en les traitant comme un assemblage. Vous pouvez enlever les tiges des pistons en décrochant les ressorts de bagues de retenue de l'extrémité des tiges. Enlevez les ressorts (5) du piston à vide. Enlevez le ressort de la clavette et la tige de raccord des leviers.
- Enlevez le levier (20) de la pompe à vis et le crochet en « S » (21) de l'extrémité de la tige du piston plongeur. Enlevez le raccord d'admission de carburant et le joint de culasse (24). Sur les modèles 1406 et 1408, enlevez les vis (10) de montage du couvercle du starter, la bague de retenue (10A) du boîtier du starter et 3 vis du boîtier du piston du starter (que nous ne montrons pas). Enlevez la tige et la pince (8). Enlevez les vis (16 et 17) du couvercle de la cuvette et le crochet (Modèles 1405 et 1407). Soulevez le couvercle (18) de la cuvette du carburant (49) en le tenant tout droit, pour éviter d'abîmer les pièces qui y sont attachées. Enlevez les clavettes (25) de flotteur, les flotteurs (26) et les assemblages d'aiguille-assise (27) et joint de culasse. Enlevez le joint de culasse (28) de la cuvette.
- Enlevez l'assemblage piston plongeur (29) et le ressort (30). • Ôtez les vis du venturi (39). Faites une marque sur les assemblages de venturis (40) avant de les enlever pour pouvoir les réinstaller au bon endroit. Enlevez les joints de culasse principaux et secondaires (33 et 41). Ôtez les gicleurs principaux (43) et secondaires (44) en prenant note de leurs emplacements. Enlevez le boîtier du gicleur (35). Retournez la cuvette de carburant (49) pour enlever les poids (37) et billes (38) de vérification de refoulement. Enlevez les vis de ralenti et les ressorts (46). Enlevez les couvercles en caoutchouc à vide maintenant.

## NETTOYAGE:

Nettoyez soigneusement toutes les pièces à l'aide d'un solvant de nettoyage ou dissolvant de vernis dont l'usage à cet effet est autorisé. Faites particulièrement attention aux dépôts de carbone dans les alésages et passages d'obturateur. N'utilisez pas de fils ou d'outils pointus pour nettoyer les passages et les trous calibrés car vous risquez de détruire le calibrage du carburateur. Ne plongez pas de caoutchouc ou autre matière semblable dans du dissolvant.

## REMONTAGE:

Inversez la séquence de démontage en employant les numéros de référence de la vue éclatée pour vous guider dans ce processus en faisant attention aux instructions spéciales suivantes.

1. Pour veiller à utiliser correctement les joints de culasses et pièces emballées dans ce kit, utilisez les anciens joints de culasses et pièces pour les identifier.
2. Les vis de ralenti doivent être installées en les serrant légèrement, puis tournées vers l'arrière pour ressortir en un tour et demi ou deux tours pour leur réglage initial.
3. Appliquez une couche mince de lubrifiant à la cuvette de l'assemblage de piston plongeur (29) avant l'installation.
4. Installez l'extrémité ouverte du crochet en « S » dans l'arbre de la pompe vers la soupape du starter.
5. Réinstallez les assemblages de venturis (32 et 40) à l'emplacement correct.
6. Veillez à ce que les chicanes du couvercle de la cuvette descendent devant les chicanes de la cuvette de carburant (49) ou l'indexage du couvercle de la cuvette sera erroné et les flotteurs seront suspendus.
7. Quand vous installez le couvercle (18) de la cuvette, faites attention à centrer les petits tubes de purge en laiton sur les assemblages de venturis principaux (32) de façon à ce qu'ils passent par les trous du couvercle de la cuvette.
8. Consultez la section « Données de réglage » pour les spécifications de réglage.

## DONNES DE REGLAGE:

### • NIVEAU DU FLOTTEUR (FIG. 1)

Quand le couvercle de la cuvette est retourné, que le joint de culasse du couvercle de la cuvette est à sa place et que le poids du flotteur ajuste l'assise de l'aiguille, il devrait y avoir 1,11 cm (7/16") entre le sommet de chaque flotteur et le joint de culasse du couvercle de la cuvette (extrémité extérieure). Vous pouvez utiliser une mèche de perceuse de 1,11 cm (7/16") pour mesurer cette distance. Les côtés des flotteurs doivent être parallèles au bord extérieur du couvercle de la cuvette. Pour les ajuster, pliez le levier des flotteurs. ATTENTION! N'APPUYEZ PAS L'AIGUILLE SUR L'ASSISE QUAND VOUS AJUSTEZ LE LEVIER DU FLOTTEUR.

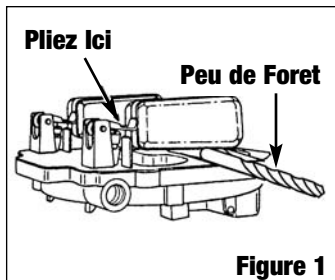


Figure 1

### • BAISSÉ DU FLOTTEUR (FIG. 2)

En tenant le couvercle de la cuvette à la verticale, ajustez la languette d'arrêt sur les crochets des flotteurs pour obtenir un espacement de 2,38 cm (15/16") entre (l'extrémité extérieure de) chaque flotteur et le joint de culasse du couvercle de la cuvette. Pour ajuster, pliez la languette du levier des flotteurs

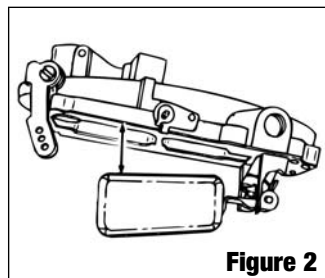


Figure 2

### • POMPE (FIG. 3)

Faites ressortir vers l'arrière les vis de ralenti pour permettre aux soupapes d'obturateur principales d'avoir des assises dans les alésages. Installez la tige de raccord de pompe dans le deuxième trou du sommet de l'arbre de la pompe. Pliez la tige de la pompe pour avoir 1,35 cm (17/32") entre le sommet de l'arbre de la pompe et le sommet de la cuvette. Installez la tige de raccord de la pompe dans le trou le plus haut du sommet de l'arbre de la pompe. Pliez la tige de la pompe pour avoir 1,51 cm (19/32") entre le sommet de l'arbre de la pompe et le sommet de la cuvette.

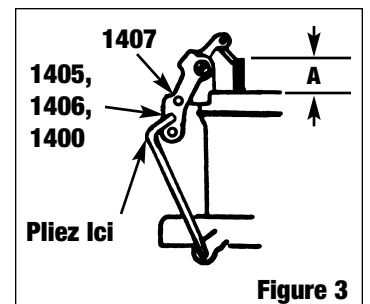


Figure 3

### • TRINGLERIE DE PISTON DE STARTER ÉLECTRIQUE (FIG. 4)

Ouvrez la soupape du starter électrique et insérez un fil 0,07 cm (.026") plié à 90 degrés à 0,32 cm (1/18") de l'extrémité entre l'extrémité supérieure de la fente du cylindre du piston de starter et le bas de la fente du piston. Placez le fil à sa place et

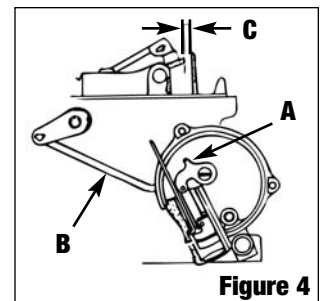


Figure 4

fermez la soupape du starter en appuyant sur le levier du piston (A) jusqu'à ce que vous sentiez une résistance. La dimension (C) doit être de 0,12 cm (3/64") à 0,2 cm (5/64") entre le bord supérieur de la soupape et la paroi de la prise d'air. Pour ajuster, pliez la tige (B).

• **TRINGLERIE DE RALENTI ACCÉLÉRÉ (FIG. 5)**

Pour 1405-1407 voir FIG. 12. Placez la vis de ralenti accéléré (A) sur le second niveau de came. Déplacez la soupape du starter vers la position fermée, le plus loin possible, sans forcer. La dimension (C) doit être de 0,12 cm (3/64") à 0,19 cm (5/64") entre le bord supérieur de la soupape du starter et la paroi de la prise d'air. Pour ajuster, pliez la tige (D).

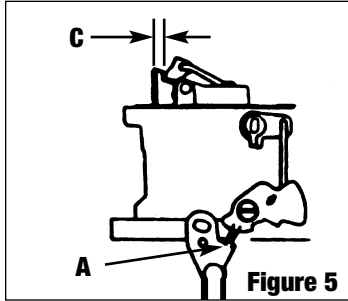


Figure 5

• **VERROUILLAGE DE L'OBTURATEUR SECONDAIRE, OBTURATEURS ÉQUIPÉS DE STARTERS ÉLECTRIQUES SEULEMENT (FIG. 6)**

Alors que le levier de l'obturateur est en position ralenti et que la soupape du starter est fermée, pliez le tenon de l'arbre de l'obturateur secondaire pour avoir un espacement de 0,04 cm (1/64") entre le tenon et l'arbre de verrouillage.

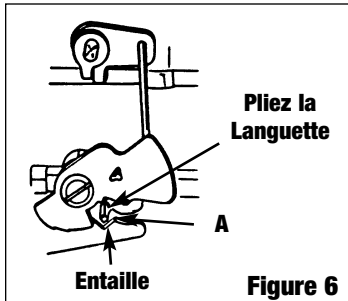


Figure 6

• **OUVERTURE DE SOUPAPE D'OBTURATEUR SECONDAIRE (FIG. 7)**

Les soupapes d'obturateur secondaire doivent commencer à s'ouvrir quand il y a 1,03 cm (13/32") entre la soupape d'obturateur secondaire et l'alésage du carburateur (comme nous le montrons). Pour ajuster, pliez la tige (A). Alors que les soupapes de l'obturateur principal sont grandes ouvertes, ajustez le tenon d'arrêt (B) jusqu'à ce que les soupapes secondaires soient à 5 degrés de la position tout à fait verticale.

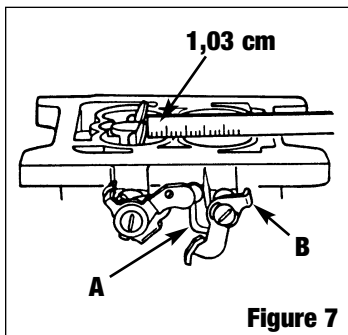


Figure 7

• **FERMETURE DE LA SOUPAPE D'OBTURATEUR SECONDAIRE (FIG. 8)**

Alors que les soupapes principales et secondaires sont hermétiquement fermées, il doit y avoir un espacement de .040" (0,10 cm) entre les leviers (comme nous le montrons). Pour ajuster, pliez le patin du levier (A).

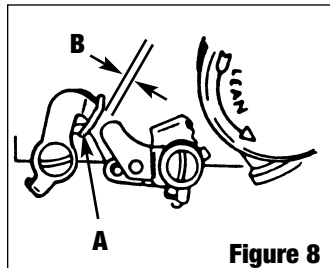


Figure 8

• **DISPOSITIF DE DÉCOMPRESSION (FIG. 9)**

Alors que les soupapes de l'obturateur sont ouvertes, fermez la soupape du starter le plus loin possible, sans forcer. La dimension (C) entre le bord supérieur de la soupape du starter et la paroi de la prise d'air doit être de 0,64 (1/4") cm à 0,79 cm (5/16"). Pour ajuster, pliez le tenon (D) du levier de l'obturateur.

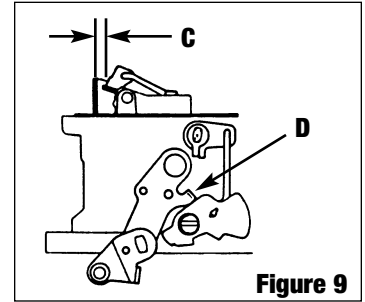


Figure 9

• **RÉGLAGE DE STARTER ÉLECTRIQUE (FIG. 10)**

Alors que le couvercle du starter est froid, faites tourner celui-ci contre la tension du ressort jusqu'à ce que la marque du couvercle du thermostat soit alignée sur la marque d'indexage du boîtier. Tournez-le de deux crans supplémentaires dans le sens des aiguilles d'une montre pour un réglage correct. Après avoir chauffé le moteur, vérifiez si la soupape du starter s'est tout à fait ouverte et fonctionne sans encombre.

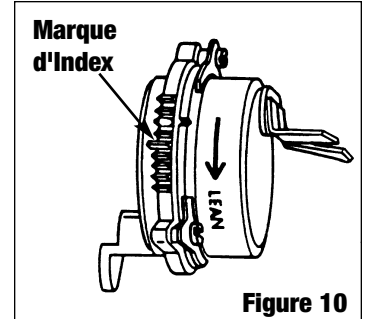


Figure 10

• **VENTILATION DE CUVETTE MODELE 1400 (FIG. 11)**

Enlevez le bouchon (A) du trou de la prise d'air et insérez une règle étroite. Appuyez légèrement la règle sur le sommet de la soupape. Alors que les soupapes d'obturateur sont fermées et que le starter est ouvert, la dimension allant du sommet de la soupape au sommet du trou du moulage doit être de 1,91 cm (3/4"). Pour l'ajuster, pliez le levier qui fait fonctionner la soupape (B).

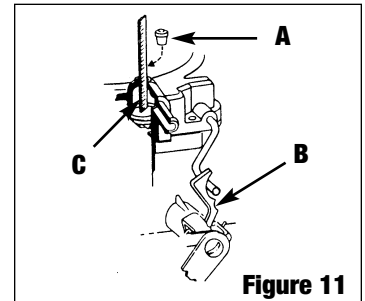


Figure 11

• **TRINGLERIE DE RALENTI ACCÉLÉRÉ, POUR LES CARBURATEURS ÉQUIPÉS DE STARTER MANUEL SEULEMENT (FIG. 12)**

Pour ajuster la tringlerie de ralenti accéléré (Figure 12), placez la vis de ralenti accéléré (A) entre les deux crans de la came. Fermez la soupape du starter le plus loin possible, sans forcer. La dimension (C) doit être de 0,12 cm (1/16") entre la soupape du starter et la prise d'air. Pour ajuster cette dimension, pliez la tige (D).

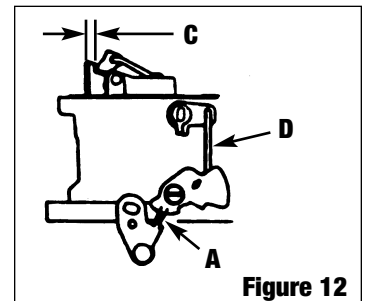


Figure 12

## VUE ÉCLATÉE DE CARBURATEUR DE EDELBROCK

Les articles soulignés sont fournis dans le kit. Sont aussi compris sans figurer sur l'illustration:

- 1- UN JOINT DE CULASSE DE BASE DE CARBURATEUR
- 1- UN JOINT DE CULASSE DE PURIFICATEUR D'AIR
- 1- UNE ÉCHELLE D'ÉVALUATION
- 1- BOUCHONS À VIDES

### ARTICLE DESCRIPTION

- 1. VIS DE COUVERCLE DE PISTON MULTIPLICATEUR (2)
- 2. VIS DE COUVERCLE DE PISTON PLAQUE DE COUVERCLE (2)
- 3. VIS DE COUVERCLE DE PISTON (2)
- 4. TIGES MULTIPLICATRICES (2)
- 5. RESSORTS DE PISTON MULTIPLICATEUR (2)
- 6. RESSORT DE BAGUE DE RETENUE DE TIGE MULTIPLICATRICE (2)
- 7. RESSORT DE CLAVETTE (PETITE) (3)
- 8. LEVIER\* ET TIGE DE RACCORD DE STARTER\*
- 9. CHOKE PISTON HOUSING\*
- 9A. JOINT D'ÉTANCHÉITÉ DE BÔÎTIER DE PISTON DE STARTER\*
- 9B. FILTRE DE BÔÎTIER DE PISTON DE STARTER\*
- 10. VIS DE MONTAGE (3)
- 10A. BAGUE DE RETENUE DE BÔÎTIER DE STARTER (3)\*
- 11. ASSEMBLAGE DE BOBINE THERMOSTATIQUE\*
- 12. CHICANE\*
- 13. JOINT DE CULASSE DE BÔÎTIER DE STARTER\*
- 14. TIGE DE RACCORD DE STARTER/CAME
- 15. TIGE DE RACCORD DE POMPE
- 16. VIS D'ATTACHE DE PRISE D'AIR (1)
- 17. VIS D'ATTACHE DE PRISE D'AIR (8)
- 17A. CROCHET DE CÂBLE DE STARTER (1405-1407 seulement)
- 18. ASSEMBLAGE DE PRISE D'AIR
- 19. VIS DE BRAS DE POMPE
- 20. BRAS DE POMPE
- 21. PIÈCE DE LIAISON DE RACCORD DE POMPE
- 22. RACCORD D'ADMISSION DE CARBURANT
- 23. FILTRE
- 24. JOINT DE CULASSE DE RACCORD D'ADMISSION DE CARBURANT
- 25. CLAVETTE DE LEVIER DE FLOTTEUR (2)
- 26. ASSEMBLAGE DE FLOTTEUR ET LEVIER (2)
- 27. ASSEMBLAGE D'AIGUILLE ET ASSISE (2)
- 28. JOINT DE CULASSE DE PRISE D'AIR
- 28A. BOUCHON DE VENTILATION DE CUVETTE (1408 seulement)
- 28B. SOUPAPE (1408 seulement)
- 29. FERMETURE POUR PLONGEUR DE POMPE
- 30. RESSORT DE PISTON PLONGEUR DE POMPE
- 31. VIS DE TRAIN D'ENGRENAGE PRINCIPAL (4)
- 32. TRAINS D'ENGRENAGE PRINCIPAUX DE VENTURI (2)
- 33. JOINT DE CULASSE DE TRAIN D'ENGRENAGE DE VENTURI (2)
- 34. VIS DE BÔÎTIER DE GICLÉUR DE POMPE (2)
- 35. VIS DE BÔÎTIER DE POMPE
- 36. VIS DE BÔÎTIER DE POMPE DE JOINT DE CULASSE
- 37. POIDS DE REFOULEMENT DE POMPE
- 38. BILLE DE REFOULEMENT DE POMPE
- 39. VIS DE TRAIN D'ENGRENAGE SECONDAIRE (4)
- 40. TRAIN D'ENGRENAGE SECONDAIRE DE VENTURI (2)
- 41. JOINT DE CULASSE DE TRAIN D'ENGRENAGE DE VENTURI (2)
- 42. POIDS ET SOUPAPES AUXILIAIRES
- 43. GICLÉURS DE DOSAGE PRINCIPAUX (2)
- 44. GICLÉURS DE DOSAGE SECONDAIRE (2)
- 45. CHICANES DE CUVETTE DE CARBURANT (2)
- 46. VIS ET RESSORT DE RALENTI (2)
- 47. CAME DE RALENTI ACCÉLÉRÉ
- 48. VIS DE RALENTI
- 49. ASSEMBLAGE DE CARROSSERIE

